



PITT

COOKING

Listas de Precios 2025
COD-20022025

HOMEA
PREMIUM

HOMEA
www.homea.mx
Email: ventas@homea.mx
Whatsapp: (442)258.0251 Tel: (442)216.3552



DANAU

TOP SIDE



| CÓDIGO | DESCRIPCIÓN | PRECIO USD |
|--------------|--|------------|
| 50.01.04.113 | DANAU. 4 BURNER. NATURAL GAS. ORIGINAL VERSION. TOP SIDE | \$4,762.00 |
| 50.05.05.113 | DANAU. 4 BURNER. GAS LP. ORIGINAL VERSION. TOP SIDE | \$4,762.00 |

| CÓDIGO | DESCRIPCIÓN | PRECIO USD |
|-----------------|---|------------|
| DANAUBSIZE50-NG | DANAU, 4 BURNER, FRONT CONTROLS, BLACK VERSION, NATURAL GAS | \$6,441.00 |

ACCESORIOS

| CÓDIGO | DESCRIPCIÓN | PRECIO USD |
|--------------|---|------------|
| 31.02.02.009 | GAS CONVERSION KIT. 4 PITTS to LP. Original. Front or Top side. | \$36.00 |
| 40.00.001 | SUPPORT BAR | \$141.00 |

FICHA TÉCNICA



Technical doc.

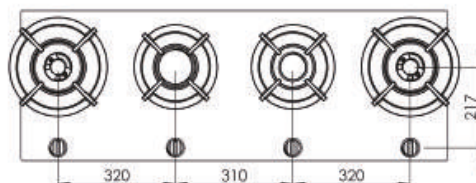
Danau Top Side



| | |
|----------------------|----------------------------------|
| Model name | Danau (Top Side) |
| Output | 1x 2 kW, 1x 3 kW, 2x 0,2-5 kW |
| Measurements of unit | L: 403 W: 1157 H: 89 mm |
| Total height | 119 mm (incl. supports) |
| Min. cabinet width | 1200 mm |
| Min. counter depth | 600 mm |
| Countertop thickness | 4 - 35 mm |
| Gas | Natural Gas / LPG (Propane) |
| Burner material | Original |
| | Professional |
| | Black |

Top view | Danau Top Side

Complete technical documentation available
via QR-code located above, left



DRUM

TOP SIDE



| CÓDIGO | DESCRIPCIÓN | PRECIO USD |
|--------------|---|------------|
| 50.01.04.114 | DRUM. 4 BURNER. NATURAL GAS. ORIGINAL VERSION. TOP SIDE | \$4,762.00 |
| 50.05.05.114 | DRUM. 4 BURNER. LP GAS. ORIGINAL VERSION. TOP SIDE | \$4,762.00 |
| 72.05.05.114 | DRUM. 4 BURNER. LP BLACK. FRONTSIDE | \$6,441.00 |

ACCESORIOS

| CÓDIGO | DESCRIPCIÓN | PRECIO USD |
|--------------|---|------------|
| 31.02.02.009 | GAS CONVERSION KIT. 4 PITTS to LP. Original. Front or Top side. | \$36.00 |
| 40.00.001 | SUPPORT BAR | \$141.00 |

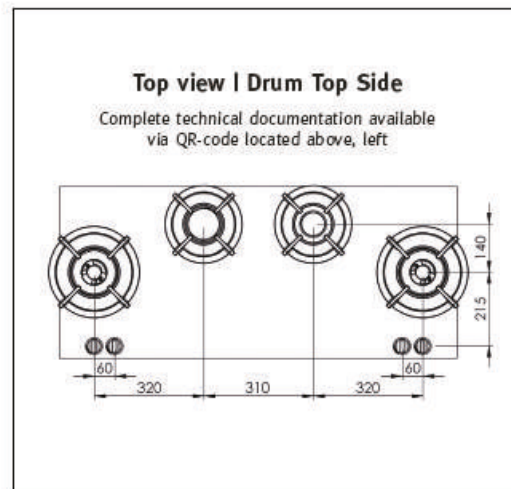
FICHA TÉCNICA



Drum Top Side



| | |
|----------------------|----------------------------------|
| Model name | Drum (Top Side) |
| Output | 1x 2 kW, 1x 3 kW, 2x 0,2-5 kW |
| Measurements of unit | L: 503 W: 1157 H: 89 mm |
| Total height | 119 mm (incl. supports) |
| Min. cabinet width | 1200 mm |
| Min. counter depth | 600 mm |
| Countertop thickness | 4 - 35 mm |
| Gas | Natural Gas / LPG (Propane) |
| Burner material | Original |
| | Professional |
| | Black |



ELBRUS

TOP SIDE



FRONT SIDE



| CÓDIGO | DESCRIPCIÓN | PRECIO USD |
|--------------|--|------------|
| 51.01.04.115 | ELBRUS. 5 BURNER. NATURAL GAS. PROFESIONAL VERSION. TOP SIDE | \$5,624.00 |
| 51.05.05.115 | ELBRUS. 5 BURNER. LP GAS. PROFESIONAL VERSION. TOP SIDE | \$5,624.00 |

| CÓDIGO | DESCRIPCIÓN | PRECIO USD |
|--------------|--|------------|
| 71.01.04.115 | ELBRUS. 5 BURNER. NATURAL GAS. PROFESIONAL VERSION. FRONT SIDE | \$6,883.00 |
| 71.05.05.115 | ELBRUS. 5 BURNER. LP GAS. PROFESIONAL VERSION. FRONT SIDE | \$6,883.00 |

| CÓDIGO | DESCRIPCIÓN | PRECIO USD |
|--------------|--|------------|
| 72.01.04.115 | 5-PITT COOKING FRONT BLACK MODULE ELBRUS NG G20/10 | \$7,071.00 |

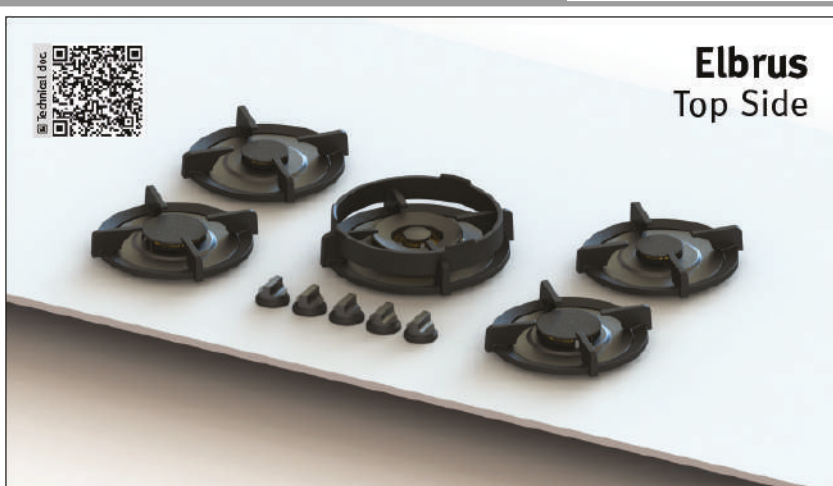
ACCESORIOS

| CÓDIGO | DESCRIPCIÓN | PRECIO USD |
|--------------|---|------------|
| 31.05.05.010 | GAS CONVERSION KIT. 5 PITTS to LP. Professional. Front or Top side. | \$36.00 |
| 40.00.001 | SUPPORT BAR | \$141.00 |

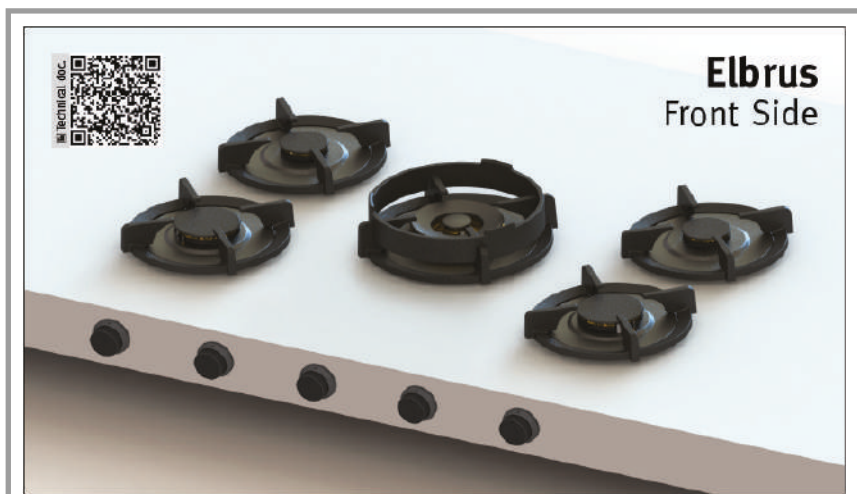
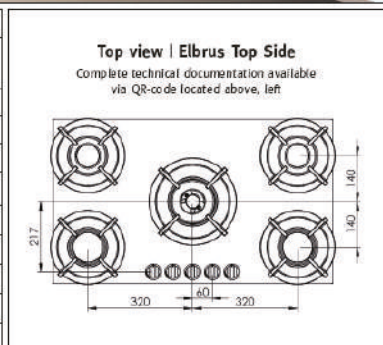
Precios expresados en USD. Precios no incluyen IVA.

Todas las parrillas incluyen 1 SUPPORT BAR sin costo.

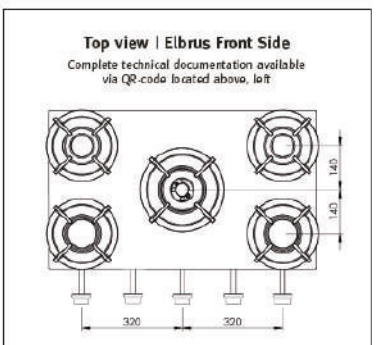
FICHA TÉCNICA



| | |
|----------------------|-----------------------------------|
| Model name | Elbrus (Top Side) |
| Output | 2x 2 kW, 2x 3 kW, 1x 0,2-5 kW |
| Measurements of unit | L: 503 B: 853 H: 89 mm |
| Total height | 119 mm (incl. supports) |
| Min. cabinet width | 900 mm |
| Min. counter depth | 600 mm |
| Countertop thickness | 4 - 35 mm |
| Gas | Natural Gas / LPG (Propane) |
| Burner material | Original Professional Black |



| | |
|----------------------|-----------------------------------|
| Model name | Elbrus (Front Side) |
| Output | 2x 2 kW, 2x 3 kW, 1x 0,2-5 kW |
| Measurements of unit | L: 503 B: 853 H: 134 mm |
| Total height | 164 mm (incl. supports) |
| Min. cabinet width | 900 mm |
| Min. counter depth | 650 mm |
| Countertop thickness | 4 - 25 mm |
| Gas | Natural Gas / LPG (Propane) |
| Bumer material | Original Professional Black |



ENEP

TOP SIDE



FRONT SIDE



| CÓDIGO | DESCRIPCIÓN | PRECIO USD |
|--------------|--|------------|
| 51.01.04.117 | ENEP. 5 BURNER. NATURAL GAS. PROFESIONAL VERSION. TOP SIDE | \$5,624.00 |
| 51.05.05.117 | ENEP. 5 BURNER. LP GAS. PROFESIONAL VERSION. TOP SIDE | \$5,624.00 |

| CÓDIGO | DESCRIPCIÓN | PRECIO USD |
|--------------|--|------------|
| 71.01.04.117 | ENEP. 5 BURNER. NATURAL GAS. PROFESIONAL VERSION. FRONT SIDE | \$6,883.00 |
| 71.05.05.117 | ENEP. 5 BURNER. LP GAS. PROFESIONAL VERSION. FRONT SIDE | \$6,883.00 |

ACCESORIOS

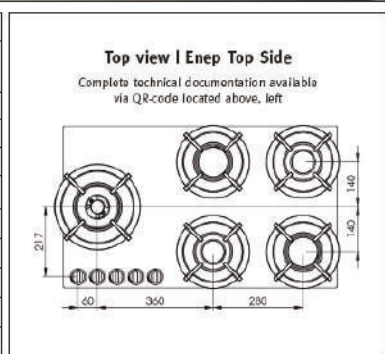
| CÓDIGO | DESCRIPCIÓN | PRECIO USD |
|--------------|---|------------|
| 31.05.05.010 | GAS CONVERSION KIT. 5 PITTS to LP. Professional. Front or Top side. | \$36.00 |
| 40.00.001 | SUPPORT BAR | \$141.00 |

FICHA TÉCNICA



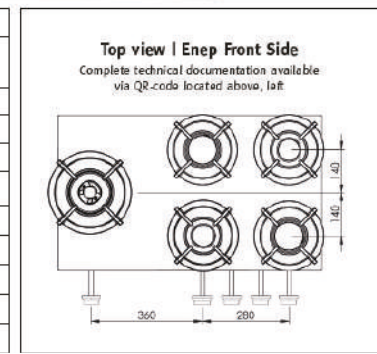
Enep
Top Side

| | |
|----------------------|-----------------------------------|
| Model name | Enep (Top Side) |
| Output | 2x 2 kW, 2x 3 kW, 1x 0,2-5 kW |
| Measurements of unit | L: 503 B: 853 H: 89 mm |
| Total height | 119 mm (incl. supports) |
| Min. cabinet width | 900 mm |
| Min. counter depth | 600 mm |
| Countertop thickness | 4 - 35 mm |
| Gas | Natural Gas / LPG (Propane) |
| Burner material | Original Professional Black |



Enep
Front Side

| | |
|----------------------|-----------------------------------|
| Model name | Enep (Front Side) |
| Output | 2x 2 kW, 2x 3 kW, 1x 0,2-5 kW |
| Measurements of unit | L: 503 B: 853 H: 134 mm |
| Total height | 164 mm (incl. supports) |
| Min. cabinet width | 900 mm |
| Min. counter depth | 650 mm |
| Countertop thickness | 4 - 25 mm |
| Gas | Natural Gas / LPG (Propane) |
| Burner material | Original Professional Black |

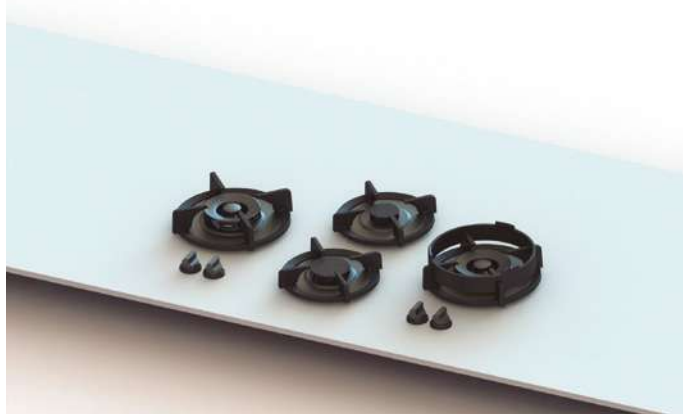


DEMPO

FRONT SIDE



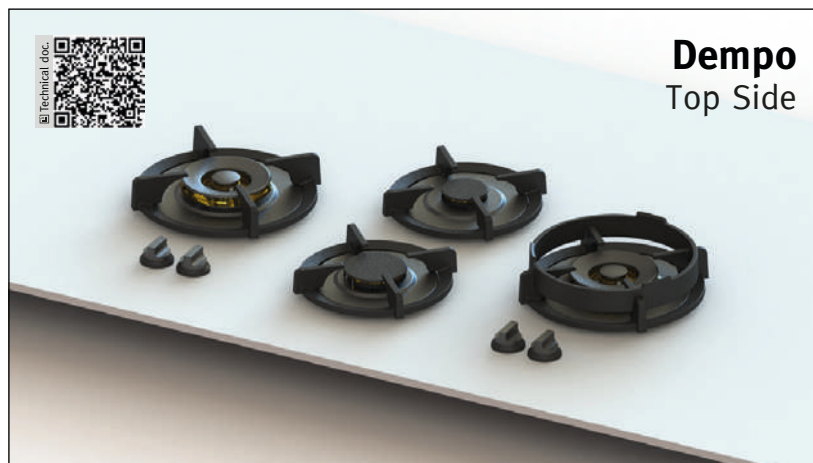
TOP SIDE



ACCESORIOS

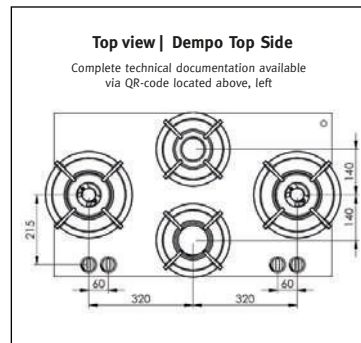
| CÓDIGO | DESCRIPCIÓN | PRECIO USD |
|--------------|-----------------------------------|------------|
| 31.05.05.009 | GAS CONVERSION KIT. 4 PITTs to LP | \$36.00 |
| 40.00.001 | SUPPORT BAR | \$141.00 |

FICHA TÉCNICA



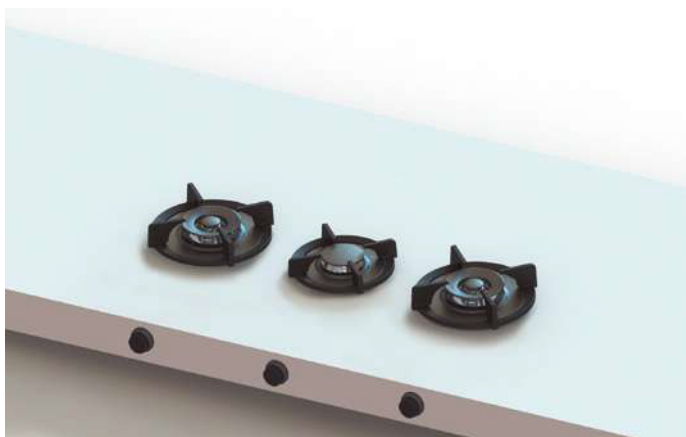
Dempo
Top Side

| | |
|----------------------|----------------------------------|
| Model name | Dempo (Top Side) |
| Output | 1x 2 kW, 1x 3 kW, 2x 0,2-5 kW |
| Measurements of unit | L: 503 B: 853 H: 89 mm |
| Total height | 119 mm (incl. supports) |
| Min. cabinet width | 900 mm |
| Min. counter depth | 600 mm |
| Countertop thickness | 4 - 35 mm |
| Gas | Natural Gas / LPG (Propane) |
| Burner material | Original |
| | Professional |
| | Black |



CUSIN

FRONT SIDE



TOP SIDE

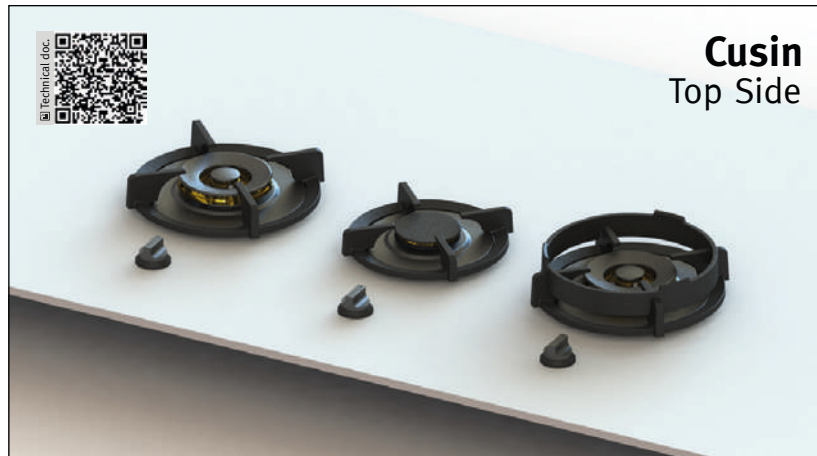


| CÓDIGO | DESCRIPCIÓN | PRECIO USD |
|--------------|---|------------|
| 70.01.04.111 | CUSIN. 3 BURNER. NG. FRONT SIDE. ORIGINAL | \$5,047.00 |
| 50.01.04.111 | CUSIN. 3 BURNER. NG. TOP SIDE. ORIGINAL | \$4,103.00 |
| 52.05.05.111 | CUSIN, TOP CONTROLS, LP GAS, BLACK VERSION, | \$4,424.00 |

ACCESORIOS

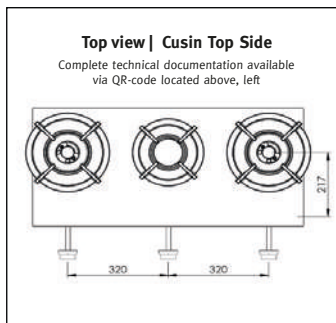
| CÓDIGO | DESCRIPCIÓN | PRECIO USD |
|--------------|---|------------|
| 31.05.05.007 | GAS CONVERSION KIT. 3 PITTs Cusin to LP | \$36.00 |
| 40.00.001 | SUPPORT BAR | \$141.00 |

FICHA TÉCNICA



Cusin
Top Side

| | |
|----------------------|-----------------------------|
| Model name | Cusin (Top Side) |
| Output | 1x 3 kW, 2x 0,2-5 kW |
| Measurements of unit | L: 403 W: 853 H: 89 mm |
| Total height | 119 mm (incl. supports) |
| Min. cabinet width | 900 mm |
| Min. counter depth | 600 mm |
| Countertop thickness | 4 - 35 mm |
| Gas | Natural Gas / LPG (Propane) |
| Burner material | Original |
| | Professional |
| | Black |

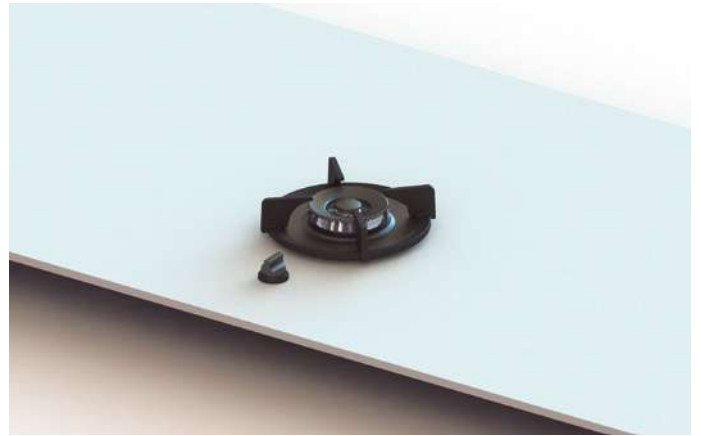


AZUMA

FRONT SIDE



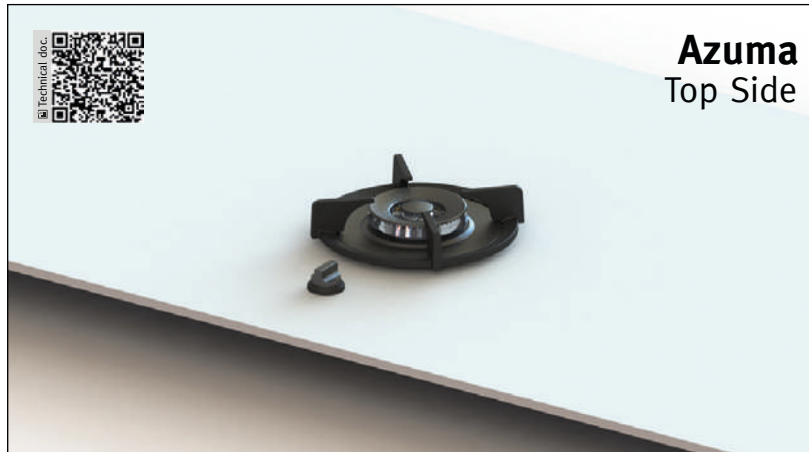
TOP SIDE



ACCESORIOS

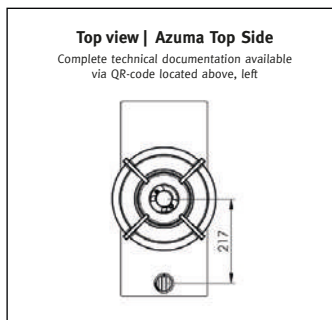
| CÓDIGO | DESCRIPCIÓN | PRECIO USD |
|--------------|--|------------|
| 31.05.05.003 | GAS CONVERSION KIT. 1PITTs Azuma to LP | \$36.00 |
| 40.00.001 | SUPPORT BAR | \$141.00 |

FICHA TÉCNICA



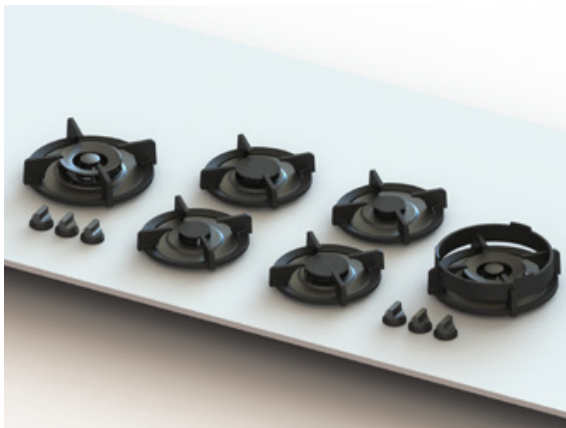
Azuma
Top Side

| | |
|----------------------|-----------------------------|
| Model name | Azuma (Top Side) |
| Output | 1x 0,2-5 kW |
| Measurements of unit | L: 503 W: 213 H: 89 mm |
| Total height | 119 mm (incl. supports) |
| Min. cabinet width | 300 mm |
| Min. counter depth | 600 mm |
| Countertop thickness | 4 - 35 mm |
| Gas | Natural Gas / LPG (Propane) |
| Burner material | Original |
| | Professional |
| | Black |

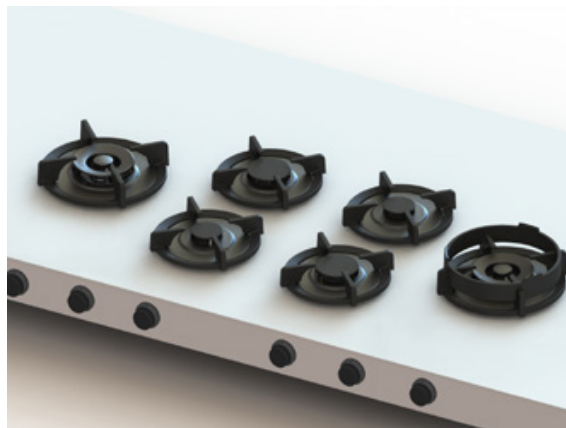


FOESSA

TOP SIDE



FRONT SIDE



| CÓDIGO | DESCRIPCIÓN | PRECIO USD |
|--------------|---|------------|
| 50.05.05.124 | FOESSA, 6 BURNERS, ORIGINAL, LP GAS, TOP VERSION | \$6,054.00 |
| 50.01.04.124 | FOESSA, 6 BURNERS, ORIGINAL, NATURAL GAS, TOP VERSION | \$6,054.00 |

| CÓDIGO | DESCRIPCIÓN | PRECIO USD |
|--------------|---|------------|
| 51.01.04.124 | FOESSA. 6 BURNERS. PROFESSIONAL. NATURAL GAS. TOP VERSION | \$6,469.00 |
| 51.05.05.124 | FOESSA. 6 BURNERS. PROFESSIONAL. LP GAS. TOP VERSION | \$6,469.00 |

| CÓDIGO | DESCRIPCIÓN | PRECIO USD |
|--------------|---|------------|
| 71.01.04.124 | FOESSA. 6 BURNERS. PROFESSIONAL. NATURAL GAS. FRONT VERSION | \$8,042.00 |
| 71.05.05.124 | FOESSA. 6 BURNERS. PROFESSIONAL. LP GAS. FRONT VERSION | \$8,042.00 |

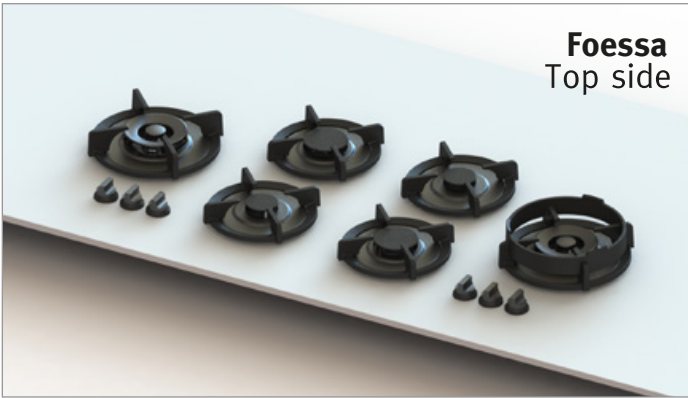
| CÓDIGO | DESCRIPCIÓN | PRECIO USD |
|--------------|--|------------|
| 52.01.04.124 | FOESSA. 6 BURNERS. BLACK. NATURAL GAS. TOP VERSION | \$6,696.00 |
| 52.05.05.124 | FOESSA. 6 BURNERS. BLACK. LP GAS. TOP VERSION | \$6,696.00 |

| CÓDIGO | DESCRIPCIÓN | PRECIO USD |
|--------------|--|------------|
| 72.01.04.124 | FOESSA. 6 BURNERS. BLACK. NATURAL GAS. FRONT VERSION | \$8,269.00 |
| 72.05.05.124 | FOESSA. 6 BURNERS. BLACK. LP GAS. FRONT VERSION | \$8,269.00 |

ACCESORIOS

| CÓDIGO | DESCRIPCIÓN | PRECIO USD |
|--------------|---------------------------------------|------------|
| 31.05.05.011 | NAT to LP conversion kit for 6 burner | \$36.00 |

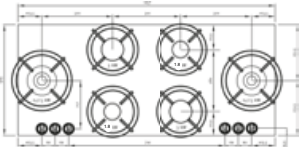
FICHA TÉCNICA




Foessa
Top side

| | | |
|----------------------|-----------------------------|--|
| Model name | Foessa (Top side) | |
| Output | 2x 2kW, 2x 3kW, 2x 0,2-5 kW | |
| Measurements of unit | L: 503 B: 1157 H:89 mm | |
| Total height | 119 mm (inkl. support) | |
| Min. Cabinet width | 1200 mm | |
| Min. Counter depth | 600 mm | |
| Countertop thickness | 4 - 35 mm | |
| Gas | Natural / LPG (Propan) | |
| Burner Material | Original | |
| | Professional | |
| | Black | |

Ovenfra | Foessa Top side

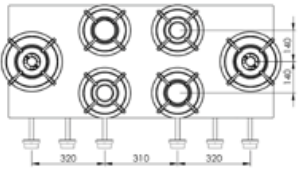




Foessa
Front

| | | |
|----------------------|-----------------------------|--|
| Model name | Foessa (Front) | |
| Output | 2x 2kW, 2x 3kW, 2x 0,2-5 kW | |
| Measurements of unit | L: 503 B: 1157 H:134 mm | |
| Total height | 164 mm (inkl. support) | |
| Min. Cabinet width | 1200 mm | |
| Min. Counter depth | 650 mm | |
| Countertop thickness | 4 - 25 mm | |
| Gas | Natural / LPG (Propan) | |
| Burner Material | Original | |
| | Professional | |
| | Black | |

Ovenfra | Foessa Front



KITS



| CÓDIGO | DESCRIPCIÓN | PRECIO USD |
|-----------|--|------------|
| 42.00.011 | 1-PITT OUTDOOR KIT (AKAN/ALTAR) TYPE OUTDOOR KIT A | \$1,069.00 |
| 42.00.012 | 1-PITT OUTDOOR KIT (AZUMA/AIR) TYPE OUTDOOR KIT A | \$1,091.00 |



| CÓDIGO | DESCRIPCIÓN | PRECIO USD |
|-----------|--|------------|
| 42.00.020 | 2-PITT OUTDOOR KIT (BALURAN/BENNETT/BAULA/BELY) TYPE OUTDOOR KIT B | \$1,574.00 |
| 42.00.030 | 3-PITT OUTDOOR KIT (CAPITAL/CIMA) TYPE OUTDOOR KIT C | \$1,671.00 |

| CÓDIGO | DESCRIPCIÓN | PRECIO USD |
|-----------|------------------|------------|
| 42.01.001 | WINDSHIELD SMALL | \$112.00 |
| 42.01.002 | WINDSHIELD BIG | \$142.00 |



| CÓDIGO | DESCRIPCIÓN | PRECIO USD |
|-----------|--|------------|
| 42.02.001 | TOP COVER 1-PITT TYPE OUTDOOR KIT A | \$852.00 |
| 42.02.002 | TOP COVER 2-/3-PITT TYPE OUTDOOR KIT B/C | \$1,184.00 |



| CÓDIGO | DESCRIPCIÓN | PRECIO USD |
|-----------|---|------------|
| 42.03.001 | BOTTOM COVER 1-PITT TYPE OUTDOOR KIT A | \$395.00 |
| 42.03.002 | BOTTOM COVER 2-/3-PITT TYPE OUTDOOR KIT B/C | \$585.00 |

